

PROFESSIONAL RADIOS & ACCESSORIES
2022 Q1



M1-DMR™

COMPACT DIGITAL RUGGED RADIO

3.95"



DMR

DIGITAL

- 4 Watts
- Digital DMR -Tier II
- IP55 Water Resistant
- 64 Zones / 16 CH per zone
- 1,600 mAh Battery
- 2 Slot Simplex



**"M1"
MOTOROLA
STYLE CONNECTOR**



SILICONE CASES

blackbox
2-way radios

GO! DIGITAL RADIO

FULL SIZE FOR BIG JOBS

DIGITAL

- 4 Watts
- MotoTRBO Tier II & Hytera Compatible
- IP56 Water Resistant
- 32 Channels
- 2,000 mAh Battery
- 2 Slot Simplex

DMR

4.50"



"M1"
MOTOROLA
STYLE CONNECTOR



FREE
screw-down
audio
accessory
clamp.



SILICONE CASES

ZONE-KP

FULL FEATURED RADIO

DIGITAL



DMR

- MotoTRBO & Hytera Compatible
- Analog freq band 400-470 MHz
- 1,000 / 32 Channel Capacity
- FCC, IC & IFTEL Certified
- Waterproof (IP65)
- Military Spec 810
- 5W / 4W / 1W Power

4.50"



"K1"
KENWOOD
STYLE CONNECTOR



FREE
screw-down
audio
accessory
clamp.



Silicone Case

Genuine
blackbox

LUNCHBOX[®]

DIGITAL UHF PORTABLE JOB-SITE REPEATER

**PORTABLE. RUGGED.
8 WATT REPEATER & BASE.**

DIGITAL

NO NEED TO REPROGRAM YOUR PORTABLE RADIOS - NO MHZ SPREAD!
THE LUNCHBOX TRANSMITS & RECEIVES ON THE *SAME* FREQUENCIES.



**WITH OR WITHOUT
BATTERY OPTIONS**

**WORKS GREAT WITH
GO! & M1-DMR !**



BBGR™

IOT

Internet of Things

BLACKBOX GLOBAL SIM-RADIO

GLOBAL SIM 2-WAY RADIO WITH PUSH-TO-TALK.

***USA-BASED SERVER PROVIDES ULTRA-LOW LATENCY.**

***PTT INFINITE GROUPS NATIONWIDE!**



AT&T & T-MOBILE COMPATIBLE.

DISPATCH OPTION



CARRY CASES

BANTAM[®]

Best in Class Compact Analog Radio.

**DURABLE.
COMPACT.
AFFORDABLE
EASY TO USE.
FULL POWER.
RUGGED.**

ANALOG

- UHF or VHF
- 16 Channels
- 5 / 4 / 2 watts
- Scanning
- Voice Channel Enunciation
- PC Program Freqs, PL, DPL
- VOX
- NARROWBAND !
- Programmable Buttons:
*Voice Encryption Function
High/Low Power*



3.75"



**KENWOOD
STYLE CONNECTOR**

Your Choice

**MOTOROLA
STYLE CONNECTOR**



FREE
screw-down
audio
accessory
clamp.



SILICONE CASES

blackbox
2-way radios

PLUS[®]

RUGGED JOBSITE RADIO

TIME
TESTED.

30,000 UNITS
IN THE FIELD.

EASY TO REPAIR & KEEP
GOING STRONG.

ANALOG

- IP54 (Water Resistant)
- 4 Watts, UHF
5 Watts, VHF
- 16 Channels with Scan
- 2-Tone Encode / Decode
- VOX (Voice activated)
- Voice Enunciation for each ch.
- Programmable Button
(VOX, Announce Battery
Power, or Emergency Alert)



4.25"



"M1"
MOTOROLA
STYLE CONNECTOR



FREE
screw-down
audio
accessory
clamp.



SILICONE CASES

blackbox
2-way radios

POCKET+[®]

SUB-COMPACT RADIO

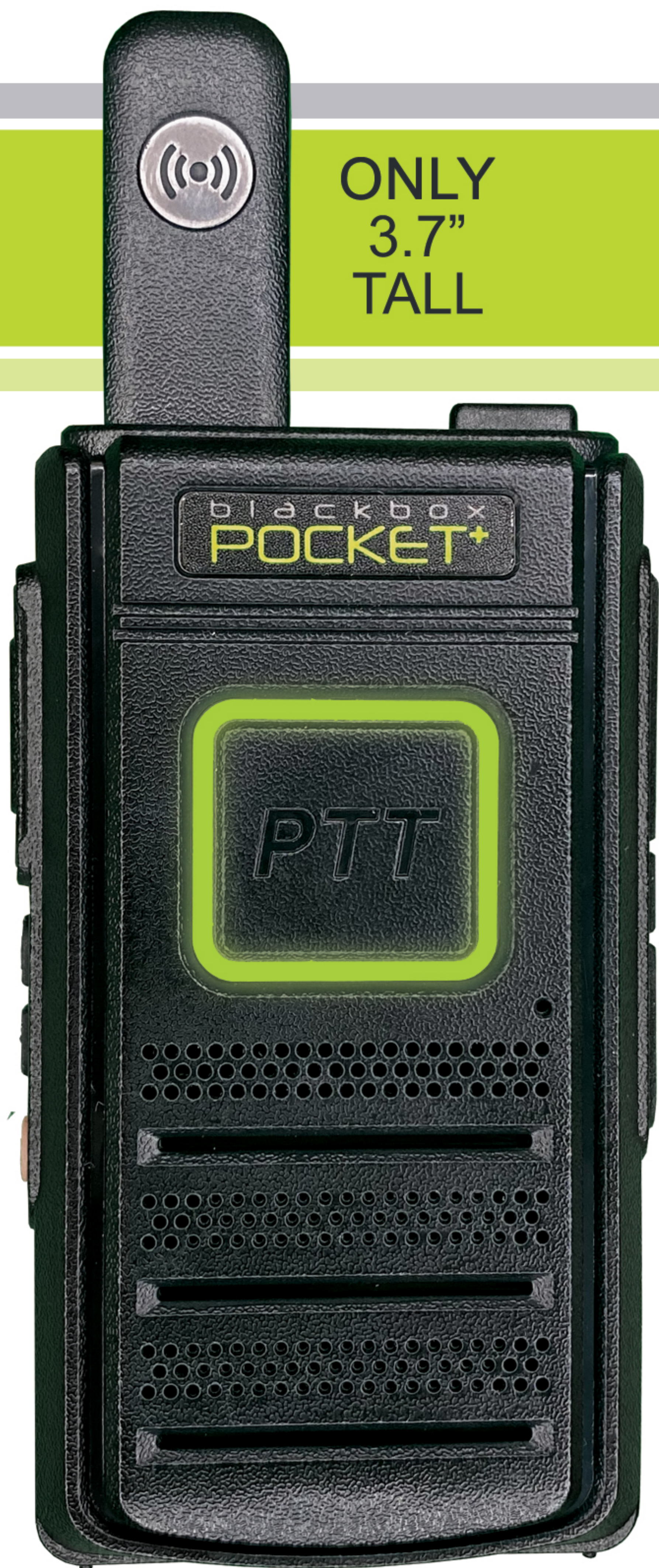


ONLY
3.7"
TALL

ONLY
0.5"
THIN

ANALOG

- Super Compact
- 1.5 Watt
- 16 Channel
- PC Programmable
- Compander Incl.
- Dual PTT (front/side)
- Compatible with all UHF/FRS radio freqs



KENWOOD
STYLE CONNECTOR



Volume



Audio port

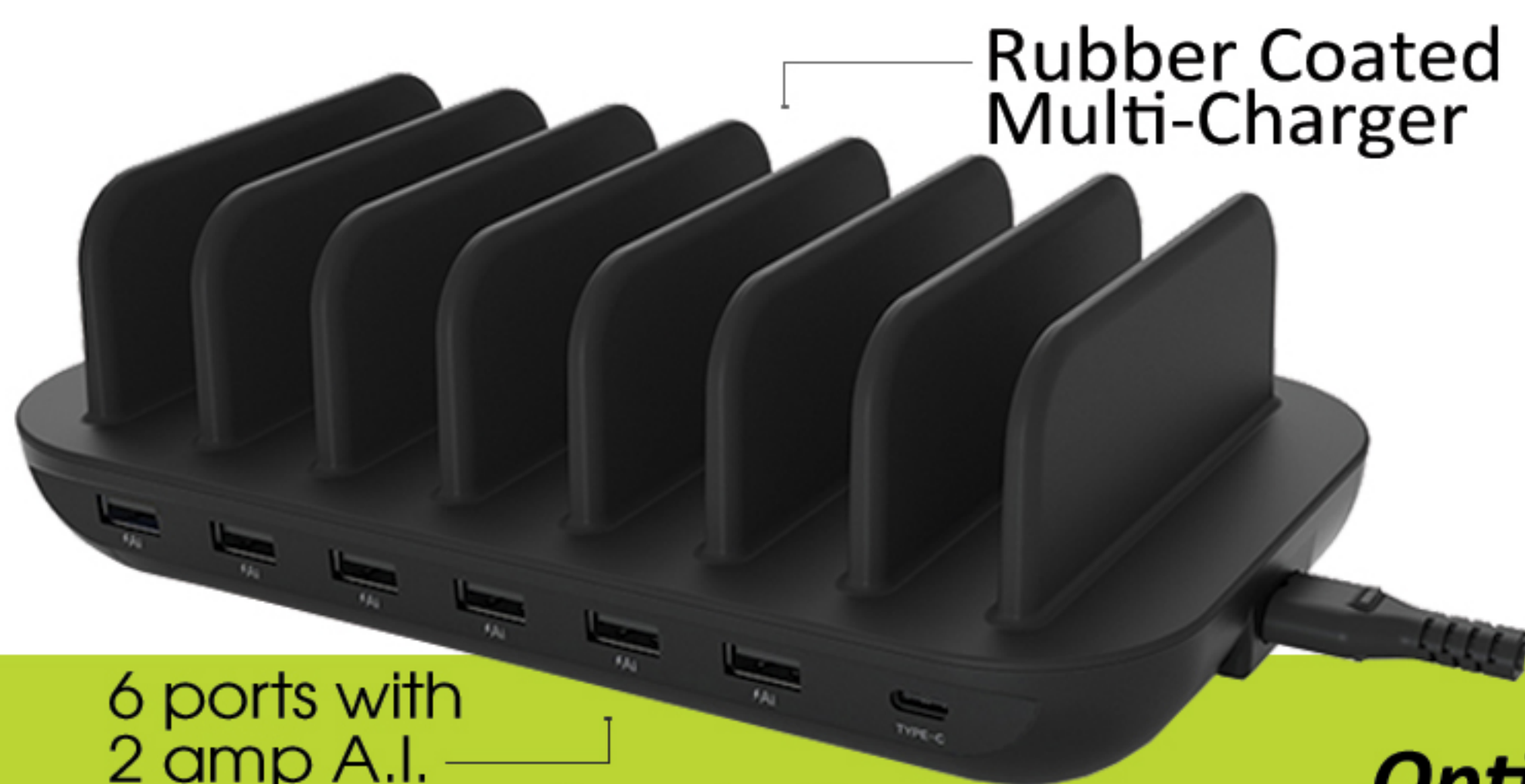


PTT & Channels

SILICONE
Grip Case



Shown with
Agent earpiece



Rubber Coated
Multi-Charger

6 ports with
2 amp A.I.

1 port with
type-C

Options

DECIBEL™

Noise Canceling w/ Radio Built In

CHANNEL & VOLUME



**Walkie-Talkie
INSIDE!**

Waterproof
PTT Button



Remote PTT options

Specifications

- High-Noise Headset with 2-Way Radio Built-In
- Noise Canceling Microphone
- UHF / FRS / GMRS
- PC Programmable
- Communicate with multiple headsets
- Volume & Channel Selector
- Flex Boom

- 1 watt, UHF
- 32 dB NRR Earshells
- 8 OHm Speakers
- 31 dB SNR Microphone
- 3.7v 1,500 mAh battery
- Charging: 2.5 hours
- Talk Time: 4 Hours
- Standby Time: 80 hours

MOBILE

INSTALLED IN VEHICLE OR AS A BASE STATION.

ANALOG

55 / 40 WATTS.
VHF / UHF.
EASY TO USE.
SOLID STATE.



UHF, VHF, or HAM

- 200 Channels
- Optional Field Programmability
- Alpha-Numeric Display
- Narrow and Wide Band option
- Alarm/Stun/2-Tone/5-Tone
- Conventional Network Scalability

- Tune it like a ham radio then program freq to memory.
- Wide band - scan local police, fire, ambulance, helo rescue, etc.
- Compander audio enhancement
- ANI



blackbox
2-way radios

RADIOGRIPS®

Custom Fit Silicone Cases.
Radios still fit perfectly into the OEM charger.



NEED CASES BUILT FOR YOUR DEVICES?
ANY DEVICE - ANY COLOR!



ONE-WIRE

Different. Better. Patented.

TUBELESS

CURL™

- C-RING EARLOOP.
- LEFT OR RIGHT EAR.
- IN-LINE MICROPHONE WITH PTT.
- SPEAKER RESTS ON EAR.



KEVLAR®
DUPONT®

Reinforced cables

SEE CONNECTOR
OPTIONS CHART

INTREPID™

- RIGHT-EAR ONLY.
- IN-LINE MICROPHONE WITH PTT.
- KEVLAR REINFORCED CABLES.



INCLUDES 3 SIZES

SEE CONNECTOR
OPTIONS CHART

COMFIT™

- RIGHT-EAR ONLY.
- IN-LINE PTT.
- NOISE CANCELING BOOM MICROPHONE



INCLUDES 3 SIZES

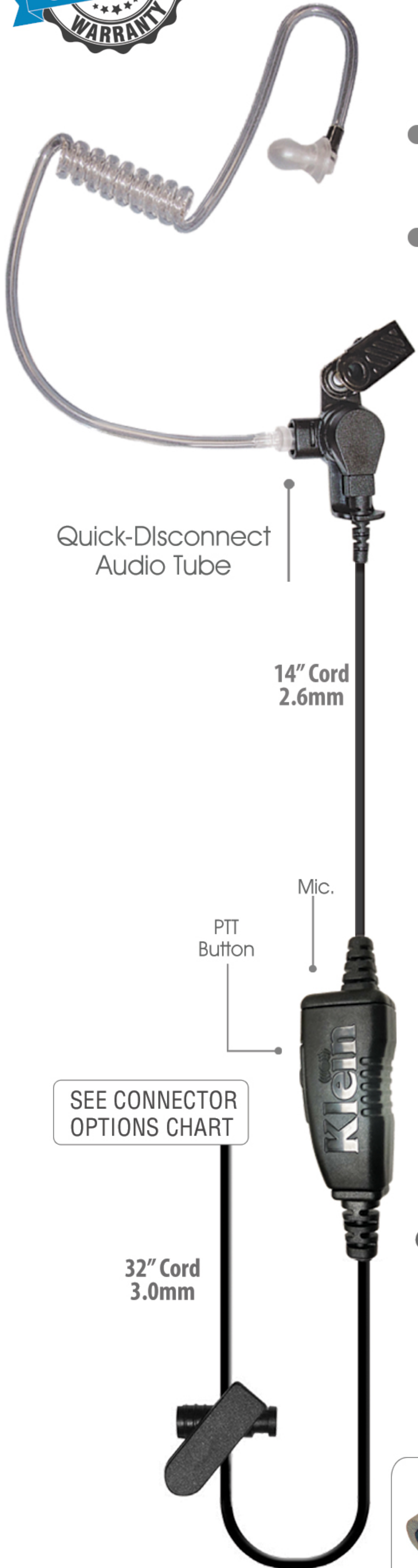
SEE CONNECTOR
OPTIONS CHART



14" CABLE

ONE-WIRE

Affordable, Superior Quality.



- ## STAR™
- Coiled audio tube with quick disconnect for easy cleaning and changing.
 - In-line PTT button and mic.

AGENT™

- Sturdy “C” swivel earloop with clear-audio speaker that rests on the ear.
- In-line mic. & PTT button.
- Great for shift workers to share earpieces.
- Left or right ear.



SEE CONNECTOR OPTIONS CHART

SEE CONNECTOR OPTIONS CHART



SPLIT-WIRE

Wires split at the™ PTT Button.



SIGNAL™

- Comfortable acoustic coil tube (black or clear)
- Adjustable for left or right ear usage
- PTT button with built-in microphone & clothing clip



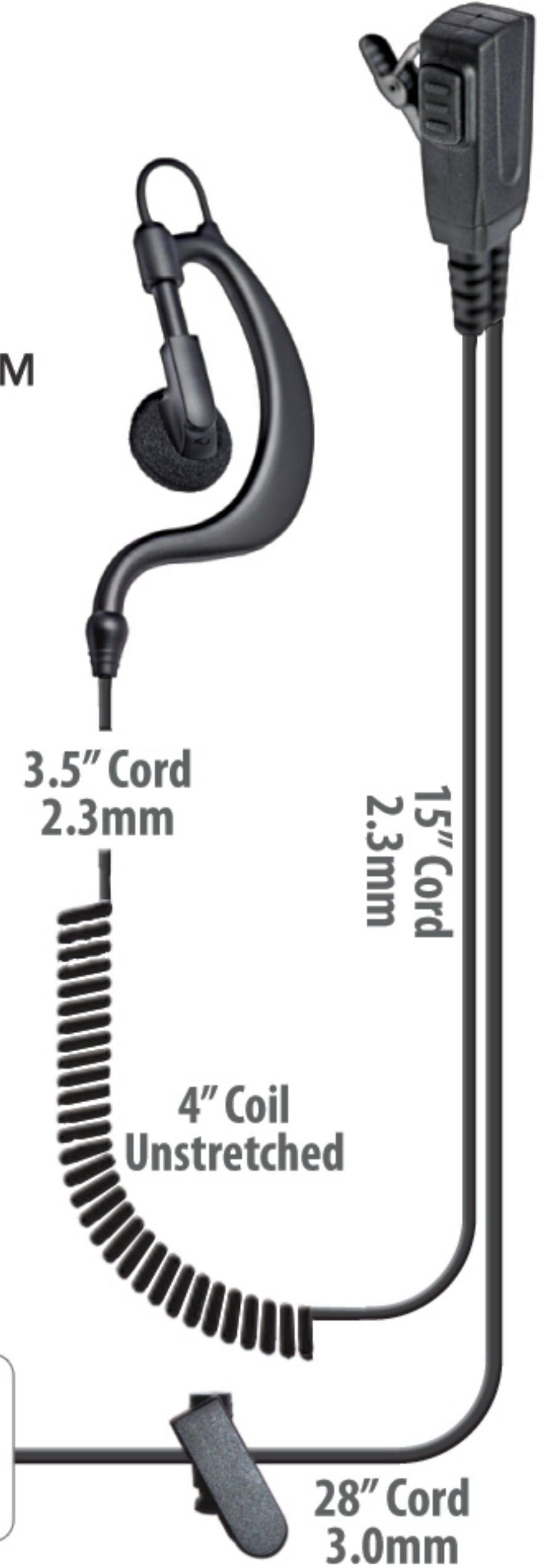
SEE CONNECTOR
OPTIONS CHART

28" Cord
3.0mm

26" Cord
2.6mm

BODYGUARD™

- Adjustable for left or right ear usage
- PTT button with built-in microphone & clothing clip
- Great for Security, Hotels, Casinos, Rentals, etc.



SEE CONNECTOR
OPTIONS CHART

15" Cord
2.3mm

3.5" Cord
2.3mm

4" Coil
Unstretched

28" Cord
3.0mm



PTT Button

Mic

KEVLAR®



COMFORT-EAR
Noise Reduction
Foam Eartip Option

K-FLEX
Eartip Option

MUSHROOM
Eartip Option

PINKIE
Eartip



Quick-Disconnect Audio Tube



Professional Grade.

TWO WIRE

Public Safety Grade. Kevlar Cables.



KEVLAR

DIRECTOR™

- Side-bar PTT with noise reduction microphone & steel clothing clip
- Comfortable acoustic coil tube (black or clear)

47" Cord
2.6mm

31" Cord
2.6mm

SEE CONNECTOR
OPTIONS CHART

PATRIOT™

- True Noise Reducing Mic.
- Fully Insulated
- Kevlar reinforced cables
- Clear sound in High-Noise areas
- Dual PTT button
- Comfortable acoustic coil tube (black or clear)
- Also available with a C-Ring earloop

26" Cord
3.2mm

27" Cord
2.6mm

Designed WITH local
Gang Task-Force Officers,
our Front-Facing button is
easy to press if grappling.

SEE CONNECTOR
OPTIONS CHART

18" when coil is stretched
4.0mm

Noise
Reduction
Microphone

PTT
Button



Noise
Reduction
Microphone

Dual
PTT Button



Professional Grade.

NOISE CANCELING

Microphone Cancels Background Noise.

DIRECTOR-NC™ 2-WIRE SURVEILLANCE KIT



- *DIRECTIONAL Microphone. Reduces Background Noise.
- *PRO Armature Speaker for stealth look and super loud / clear audio.
- *Kevlar Reinforced Cabling.
- *Clear Audio Acoustic Coil Tube (black tube optional).

PATRIOT-NC™ 2-WIRE SURVEILLANCE KIT

- *DIRECTIONAL Microphone. Reduces Background Noise.
- *Dual Front-Facing PTT Switches - For grappling or wearing gloves!
- *Kevlar Reinforced Cabling.
- *PRO Armature speaker with QD audio tube.

INDUSTRY-STANDARD
PUSH-TO-TALK

DIRECTIONAL
MICROPHONE



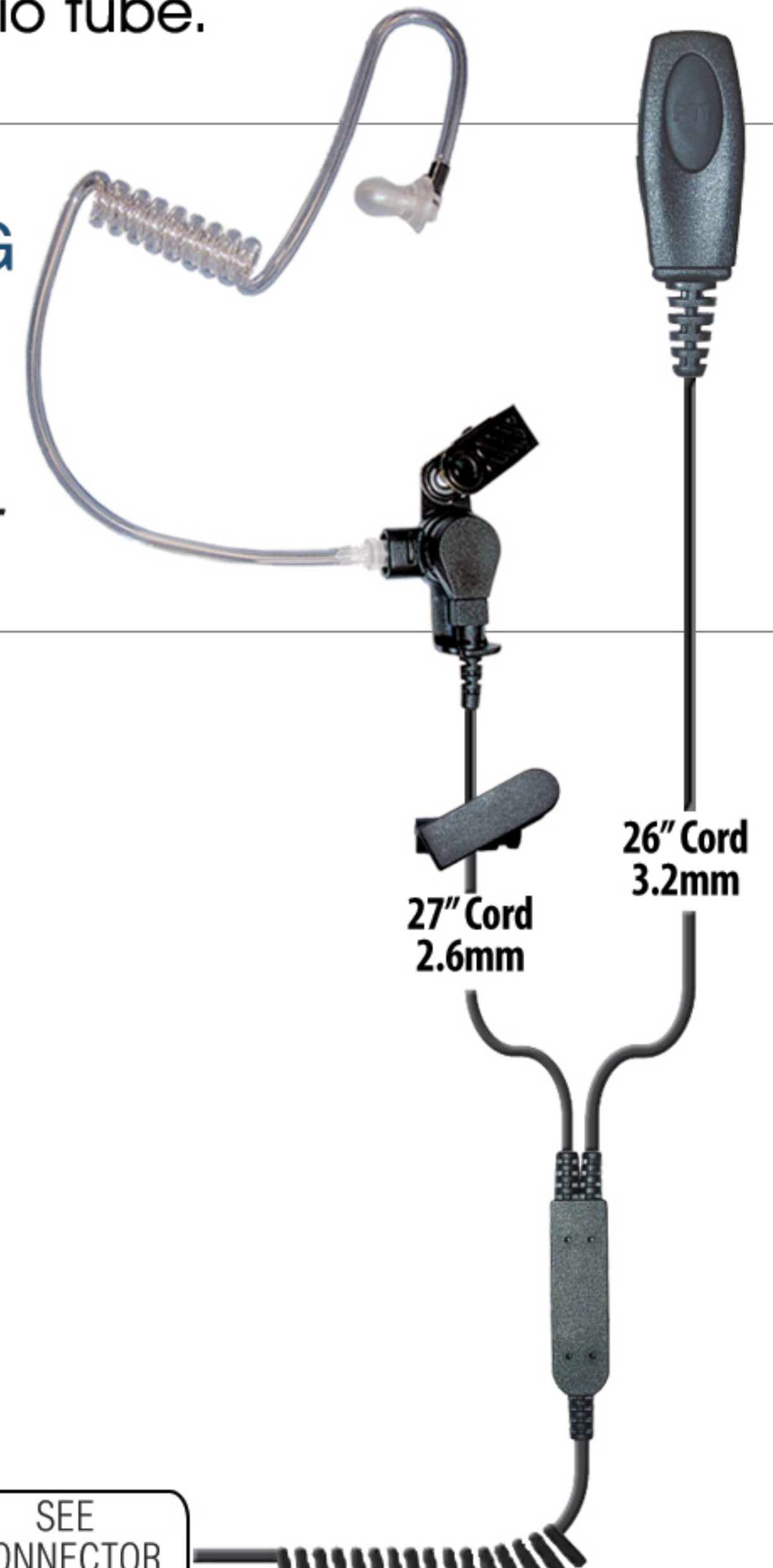
47" Cord

31" Cord

SEE CONNECTOR CHART

FRONT-FACING
DUAL PTT

DIRECTIONAL
MICROPHONE



27" Cord
2.6mm

26" Cord
3.2mm

SEE CONNECTOR CHART

18" when coil is stretched
4.0mm

Noise Canceling
Microphone

PTT
Button



QUICK-DISCONNECT
FOR EASY CLEANING
AND REPLACEMENT



COMFORT-EAR
Noise Reduction
Foam Eartip Option

K-FLEX
Eartip Option

MUSHROOM
Eartip Option

PINKIE
Eartip

Noise
Canceling
Microphone

Dual
PTT
Button



LISTEN-ONLY

Clarity. Comfort. Quality.

INTREPID-LOE™

- Receive-Only
- Right-Ear
- 3 Sizes of Eartip



TUBELESS

BRAIDED
CABLE

AVAILABLE WITH:
2.5MM / 3.5MM
STRAIGHT / RT ANGLE

SCORPION™

- Receive-Only
- Earloop with earbud
- Swivels for Left or Right Ear!

AVAILABLE WITH:
2.5MM / 3.5MM
STRAIGHT / RT ANGLE

16" Cord
2.3mm

4" Coil
Unstretched

3" Cord
2.3mm

AGENT™ LOE

- Sturdy "C" adjustable earloop with clear audio speaker that rests on ear
- Short or Long cables available
- 3.5mm right angle connector
- Swivels for Left or Right Ear!

AVAILABLE WITH:
3.5MM
STRAIGHT / RT ANGLE

16" Cord
2.3mm

4" Coil
Unstretched

3" Cord
2.3mm

SHADOW™

- Receive-only earpiece with high-quality speaker, standard quick disconnect clear acoustic tube and eartip
- 12" or 42" length cord
- Super strong strain relief

AVAILABLE WITH:
2.5MM / 3.5MM
STRAIGHT / RT ANGLE

12" or 42" Cord
3 mm thick

SHADOW-PRO™

- Mini-armature speaker for super loud and clear voice quality
- Listen-only earpiece with clear acoustic tube and eartip
- Rugged cables
- Clothing clip

AVAILABLE WITH:
2.5MM / 3.5MM
STRAIGHT / RT ANGLE

12" or 42" Cord
3 mm thick

PRO-RACING

- Used for Racing
- Comfortable foam
- Knowles speaker

SPEAKER MICS

Rugged. Patented. Waterproof.



VALOR

- Rubber overmolded.
- 3 PTT switches
- 2 Audio Ports with Locking Cams (patented design)

BRAVO

- IP67 Waterproof Compliant
- Compact Size
- Strong Strain Relief
- Ruggedized Cable

FLARE

- Slim & Flat
- Tactile PTT switch
- Swivel clothing clip
- Reinforced Cabling

WORLD'S
LOUDEST
SPEAKER

LAB CERTIFIED
IP67
WATERPROOF

Did you know?

Klein is the leader in POC accessories, including Remote Speaker Microphones. Contact us today!



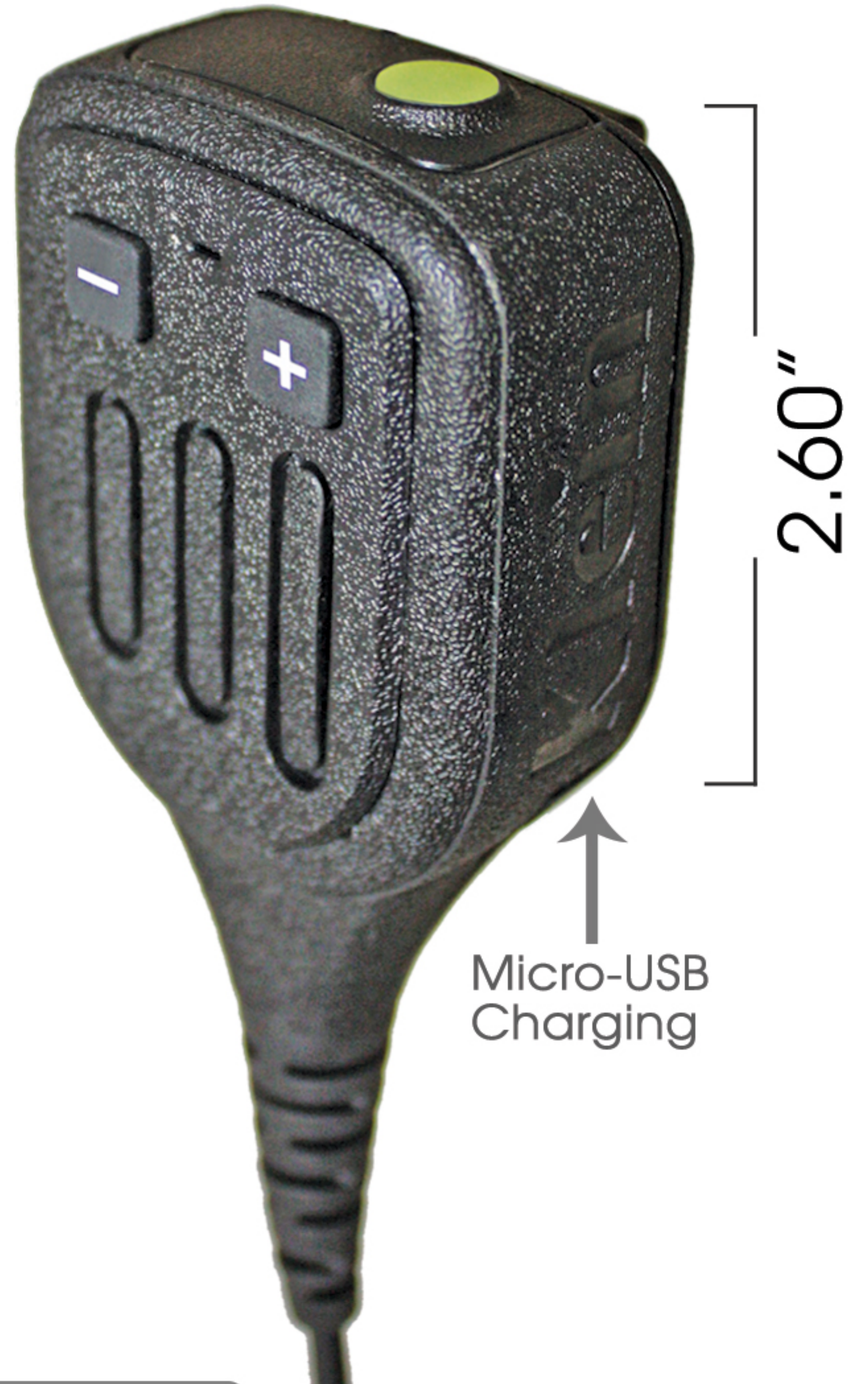
AMPLIFIED

Battery-Powered RSMs.

VALIANT®



BBGR & M8



The VALIANT speaker-mic for Motorola TLK & SL and Blackbox BBGR IoT radios is Battery Operated & includes Volume Control.

VETERAN®



The VETERAN speaker-mic for Motorola TLK & SL radios is Battery Operated, Includes a Swivel CLip, and is our smallest Shoulder Microphone

BEHIND-THE-HEAD

HIGH-NOISE HEADSETS - NOISE CANCELING

TITAN™ FLEX



water
proof
PTT

- Racing, Manufacturing, Construction, Fracking, Engineers, OSHA Compliance.
- Universal 5-pin cable connector plus scanner / ipod port.
- Sealed push-to-talk.
- Electret or Dynamic mic. is available.
- dB reduction rated earshells.
- Use with K-Cord™!



RED, BLACK, CARBON FIBER



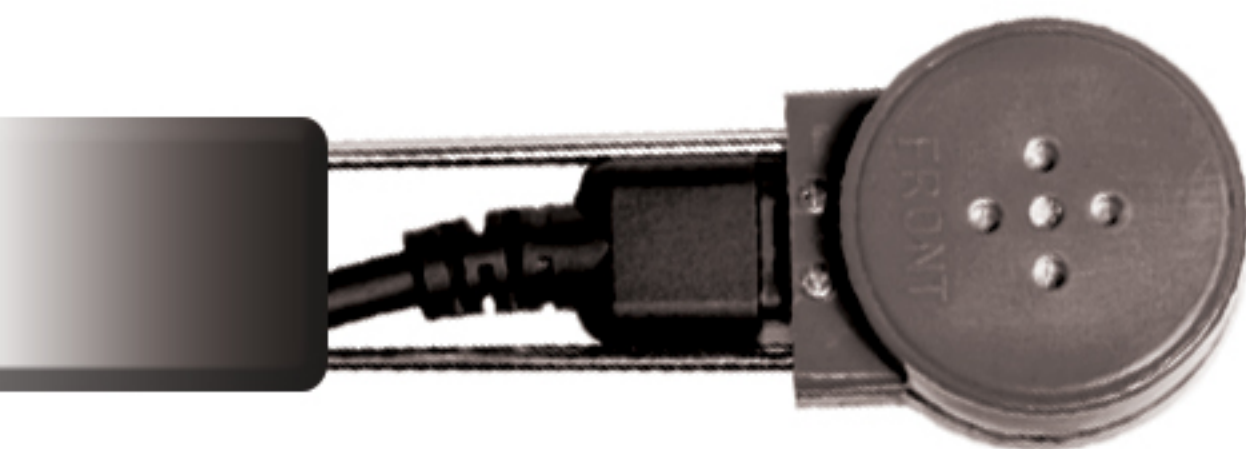
FLEX

water
proof
PTT

TITAN™

EXTREME HIGH NOISE

- Professional Grade - OEM High-Noise, Dual-Muff Headset with PTT.
- Extreme noise reducing - Racing, Manufacturing, Oil Rig, Construction, Engineering, OSHA Compliance.
- Impact rated earshells.
- Universal 5-pin cable connector port.
- Made in USA, sealed push-to-talk.
- dB reduction rated earshells.



YOUR CHOICE:
Dynamic or Electret
Microphone

K-CORD™

- Replacement Radio Connector Cable for Dual-Muff & Single-Muff High-Noise Headsets
- For 2-way radios and Mobile Phones
- Super rugged 4.5mm cable

SEE
CONNECTOR
CHART



SPECIALTY HIGH-NOISE

HIGH-NOISE HEADSETS - NOISE CANCELING

Dual-Sport

- Racing, Manufacturing, Engineers, Construction, OSHA Compliance, Oil Rig.
- Universal 5-pin cable connector plus scanner / ipod port.
- Sealed push-to-talk.
- Electret or Dynamic mic. is available.
- dB reduction rated earshells.
- Use with K-Cord™!



waterproof
PTT

COMET

SINGLE MUFF HEADSET W/PTT

- Impact rated earshell
- Universal 5-pin cable connector port
- Swivel Boom for Left or Right side use
- Soft hygienic cover for earpad included



Dual-Comm

- DUAL PTT Buttons (independent)
- DUAL Universal 5-pin cable connector ports - one for each earshell.
- Use 2 radios per headset!
- Electret or Dynamic mic. is available.
- dB reduction rated earshells.
- Use with K-Cord™!

SEE CONNECTOR CHART

SEE CONNECTOR CHART



Titan-LO

- Listen-Only (no microphone)
- Uses any K-Cord cable.



LIGHTWEIGHT

TACTICAL QUALITY. CLEAR AUDIO. ALL DAY COMFORT.



VOYAGER™

- Over-the-head
- Industrial Quality
- In-line PTT button
- Swivel boom microphone
- Adjustable steel headband



CREWCHIEF™

- Heavy duty headset with noise cancelling flexible boom microphone
- In-line PTT button
- Behind-the-head design with adjustable rubber sizing bar



RAZOR™

- Behind-the-head
- Water resistant in-line PTT button
- Noise canceling boom microphone
- Speaker rests on the ear for comfort
- For Bike Patrol, Security, Racing, Restaurants, ...



MODULAR

Interchangeable Pro-Audio System.



- Buy the Main Unit
- Pick a headset or throat mic.
- Pick a radio connector cable
- Ring & Barrel PTT's are optional



Throat Microphones

MODULAR CABLE.
Connects a variety of headsets to the Main Unit. The Front-Facing PTT Button is extra large for those wearing gloves.



ComFit



Ring-Finger PTT



PTT
BUTTON
OPTIONS

Barrel PTT



See
Connector
Chart



PTT JUNCTION BOX



- A variety of Radio Cables connect to a Junction Box with PTT. From that, the user chooses from different headset options.
- Ring finger or waterproof barrel PTT buttons are optional.
- Throat Mic. is adjustable for larger sized necks.

Professional Grade.

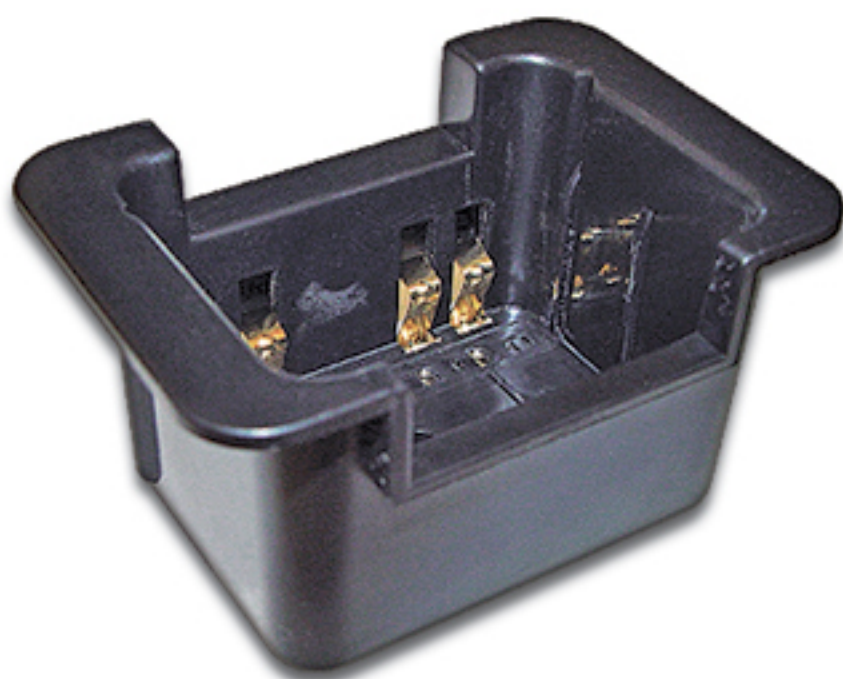
MULTI-CHARGERS

EASY-SWAP INTERCHANGEABLE PODS FOR ANY RADIO!

12-GAUGE



6-SHOT



Easy-Swap Pods.
Available for All
Popular Radio &
Battery Models.



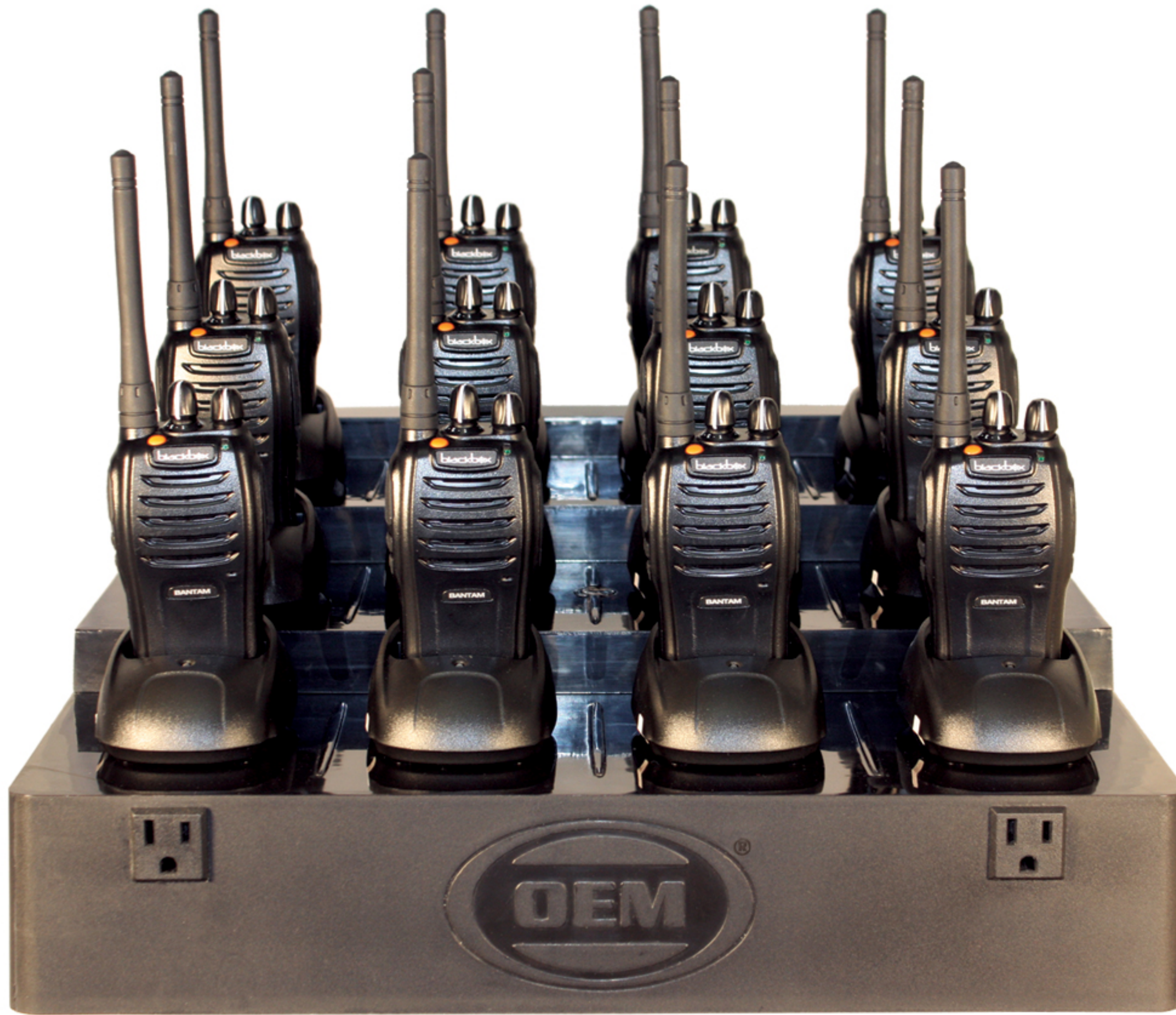
Optional Wall Mount.



BullCord.
Optional Vehicle
Charging Cable.

FUELPAD-12[®]

Universal. 1 outlet cable. 12 positions.



No need to purchase pods! Mix various radios and/or phones!



**DUAL FRONT PORTS FOR CHARGING UP
POWER TOOLS OR OTHER DEVICES!**

Blu RSM[®]

Bluetooth Speaker Mic.



ANDROID



iOS

Bluetooth

Blu PTT[®]

Bluetooth Push-To-Talk



P.O.C. SERIES

Did you know?

Klein is the leader in POC accessories, including Bluetooth. Contact us today!



ADAPTERS

4 Styles to Choose From!



1

Quick-Disconnect Adapter Series
For Earpieces, Mics & Headsets
See Connector Chart for Compatibility

2

Convert Multi-Pin Port Accessories to Single or Dual Pin for Earpieces & Headsets.

- M9-Adapter - for the XPR3300, 3500, etc.
- M5-Adapter - for the EX500, etc.
- TRBO - for the TRBO, XPR, APX7000, etc.
- K9717 - for the HT750, GP328 (incl PTT)
- K9716a - for the HT750, GP328 (no PTT)
- K6676 - for the HT1000, XTS 3000, etc.
- K3180 - for the TK380, 390, 480, etc.
- K4455 - for the Motorola EX500, etc.



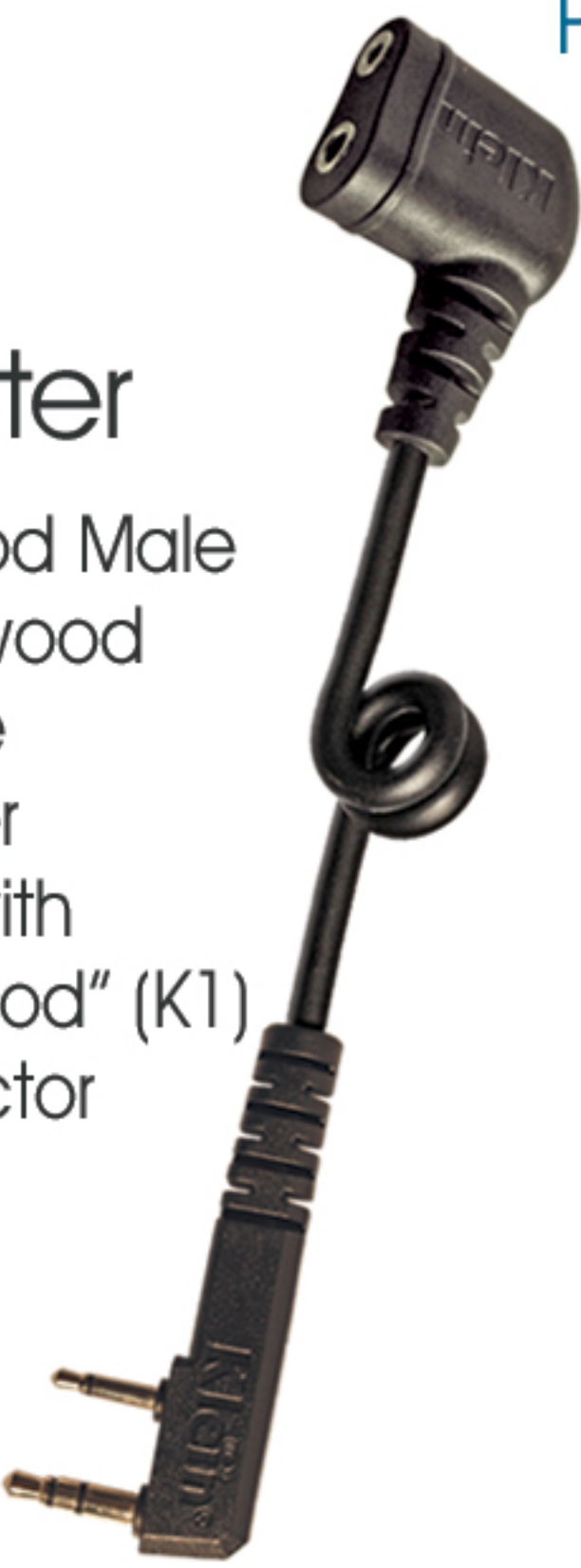
3

Pigtail Adapters

Prevents Radio Damage by Reducing Stress to Port

K1-K1 Adapter

- Kenwood Male to Kenwood Female Adapter
- Works with "Kenwood" (K1) connector radios.



K1-M1 Adapter

- Kenwood Male to Motorola Female Adapter
- Works with "Kenwood" (K1) connector radios.



M1-M1 Adapter

- Motorola Male to Motorola Female Adapter
- Works with "Motorola" (M1) connector radios.



M1-Y4 Adapter

- Vertex Male to Motorola Female Adapter
- Works with "Vertex" (Y4) connector radios.



4

3.5mm Female Adapters

Radio connector w/adapter only. Requires headset w/3.5mm pin

No more breaking the jack inside!
Use the Accessory Screw-Down Clamp to drastically reduce audio port damage!



Motorola Adapter

Reduce damage to the headset jack by keeping an adapter on the radio at all times!



Vertex Adapter

PARTS

High quality and in stock.

PRO PARTS



K-Tube™ -QD

- Quick-disconnect locking "wing" for acoustic tubes.

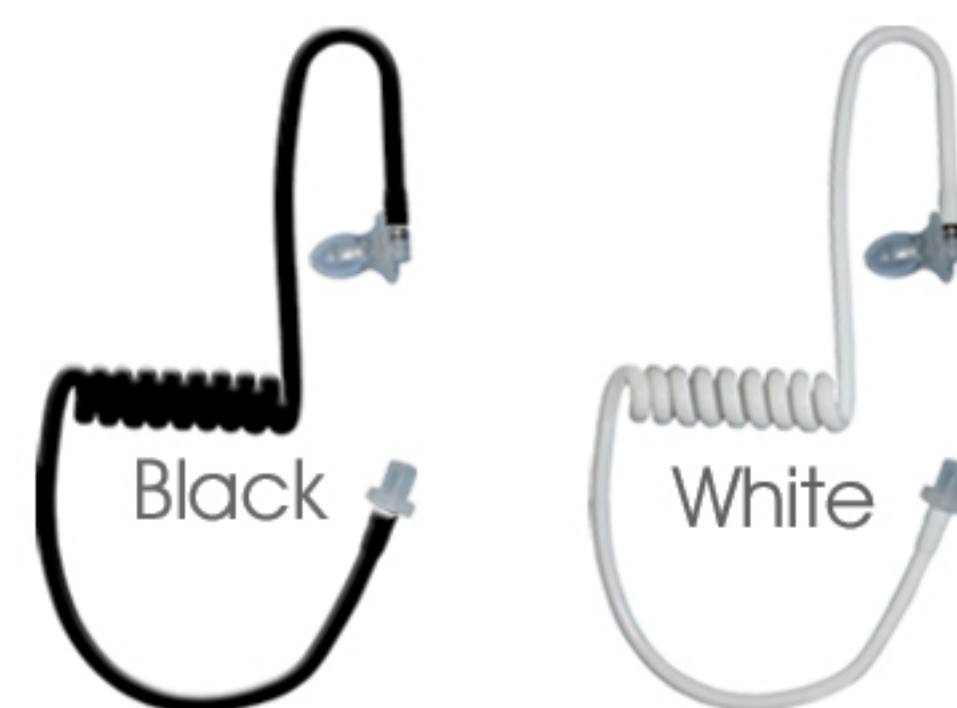
QUICK-DISCONNECT (QD)
FOR EASY REPLACEMENT
AND CLEANING.



Clear

K-Tube™

- Quick disconnect tube
- White, Black or clear



Black

White



ComFit-Tips™

Silicone Eartip for ComFit

- Hypo-Allergenic Silicone!
- 3 Sizes per kit
- Right ear only



K-FLEX™ Skeleton Eartip

- Hypo-Allergenic Silicone!
- 4 Sizes available
- Left or right ear

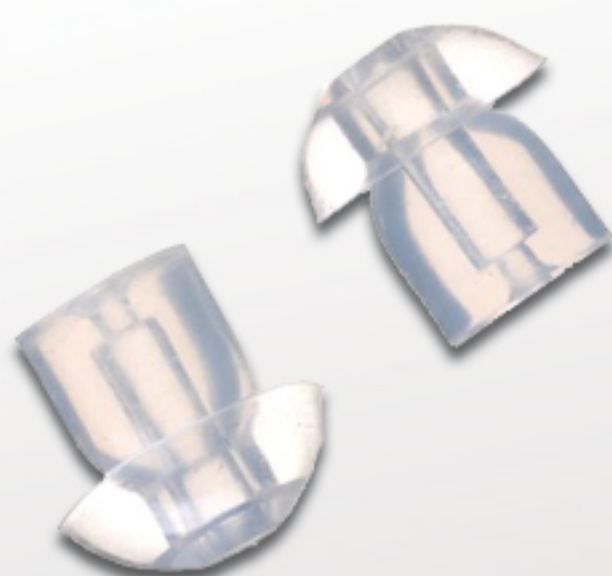


Ear-Cuff

Ear Hook with
Audio Tube.

Pinkies

- Hypo-Allergenic Silicone!



Mushroom Eartips

- Hypo-Allergenic Silicone!



COMFORT-EAR

Noise Reduction
Foam Eartips

and more

PARTS

In stock and ready to ship.



Portable Radio Replacement Antennas

Replacement Antennas

Portable, Mobile, Base & Repeater



Mobile Radio Antennas



Headset Tote Bag

- Carry bag for high-noise headset.

Foam or Gel Earpads

- Replacement foam or gel earpads for high-noise headsets.
- Sold in pairs.



Titan Strap

For Titan High-Noise Headsets.

- Nylon

Accessory Clamps

- Screw-Down, Aluminum
- For Blackbox 2-Way Radios



Microphones

For High-Noise Headsets.

- Electret or Dynamic



Batteries

Made for all models of radios. Call for ANY brand!



Programming Cables

Software is free! Just call for YOUR radio model, and get FREE tech support!

Need quantity prices on parts or want Klein to source goods for you? Call us today.

2-WAY RADIO

Connector options

P/N	Connector Figure	Radio Brand	Radio Models
K1		Blackbox	Zone, Bantam, Club
		Kenwood	TK208, TK220, TK240, TK240D, TK248, TK250, TK260, TK260G, TK270, TK270G, TK308, TK320, TK340, TK340D, TK348, TK350, TK353, TK360, TK360G, TK370, TK370G, TK372G, TK373, TK430, TK431, TK2100(ProTalk), TK2102(ProPower), TK2130(ProTalk XLS), TK2160, TK2170, TK2200, TK2202, TK2212, TK2300, TK2360, TK2360ISV16P, TK2400V16P, TK2402V16P, TK3000, TK3100(ProTalk), TK3101(FreeTalk XL), TK3102(ProPower), TK3130(ProTalk XLS), TK3131 (FreeTalk XLS), TK3160, TK3170, TK3173, TK3200, TK3201, TK3202, TK3212, TK3230, TK3230DX, TK3230DXK, TK3230DXBKP, TK3300, TK3360, TK3360ISU16P, TK3400U16P, TK3402U16P, NX220, NX240, NX240V16P, NX240V16P2, NX320, NX340, NX340U16P, NX350U16P2
		RELM	RPV516A, 599A, Plus/RPU416A, 499A Plus, RP4200
		Blackbox	Pocket, Zone, Bantam
K2		Kenwood	TK2140, TK2180, TK3140, TK3148, TK280, TK290, TK380, TK390, TK480, TK481, TK190, TK3180, TK5210, TK5220, TK5310, TK5400, NX200, NX300, NX5200, NEXEDGE Series
K3		Kenwood	Kenwood PKT-23 Radios
K4		Kenwood	NXP500
M1		Blackbox	Blackbox, Blackbox+, Bantam
		Motorola	BPR40, CLS1110, CLS1410, CP100, CP125, CP150, CP185, CP200, CP200D, CT150, CT250, CT450, CT450LS, DTR410, DTR600, DTR700, GP350 (requires a Motorola HLN9482 adaptor), GP68, GP88, GP280, GP300, GP308, GP2000, GTI, GTX, LTS2000, P040, P080, P110, P1225, P1225LS, PR400, PRO3150, RDU4100, RDU4160D RDV5100, RMU2040, RMU2050, RMU2080, RMU2080D, RMV2080, SP10, SP21, SP50, XTN446, XTN500, XTN600, XV1100, XV2100, XU1100, XU2100, XU2600, VL130, VL50
		RELM	RP6500
		HYT	TC-446S, POWER446, TC500, TC508, TC600, TC610, TC-620, TC700, TC700EX
		Blackbox	GO!, M1-DMR, Bantam, ZONE
Bearcom	BC130, BC95, BC250D		
M2		Motorola	Visar Series
M3		EF Johnson	51SL, 5000, 5100, 7700 Series, VP600, 900
		Motorola	GP900, 9000, HT1000, JT1000, MT1500, MT2000, MTS2000, MTX8000, 838, 900, 9000, PR1500, MTX-LS, XTS1500, XTS2500, XTS3000/Astro, XTS3500, 5000
M4		Motorola	GP1280, 140, 320, 328, 329, 338, 339, 340, 360, 380, 640, 650, 680, HT1250, 1250LS, 1550, 1550XLS, 750, MTX8250, 8250LS, 850, 850LS, 9250, 950, 960, PR860, PRO5150, 5350, 5450, 5550, 5750, PRO7150, 7350, 7450, 7550, 7750, 9150, PTX700, 760, 780
		HYT	TC980
M5		RELM	RPV3000, 3600/RPU3000, 3600, 3300c, 7500
		Motorola	EX500, EX560XLS, 600, GL2000, GP328Plus, 338Plus, GP344, 388, PRO5150elite
		HYT	TC610P, TC780, TC3000
M6		Motorola	Sprint GT/GT+, Talkabout 270, 280, T289, T5100, 5200, 5300, 5340, 5400, 5410, 5420, Cobra FRS 5512, 5522, T5800, 5820, 6200, 6210, 6220, 6250, 6300, 6320, 6400, T7200 series and FR50, 60
		HYT	TC1688, TC-320, TC-310
M7		Motorola	DGP 4150+ Series, DGP 5000 & 8000 Series, TRBO XPR6000 and XPR7000 Series, APX6000 and APX7000 Series, APX1000, APX3000, APX4000, APX8000 and SRX2200
M8		Motorola	TLK100 Series, SL300, SL7550, SL4000, SL4010, SL500
M9		Motorola	XPR3300, XPR3300e, XPR3500, XPR3500e
CLP		Motorola	CLP446 & CLK446
QD		Quick-Disconnect	BodyGuard, Patriot, Director, Signal, Star, Valor, Flare, K-Cord
S1		Icom	IC-F3, F3S, F30G, F31, F4, F4S, F4TR, F10, F20, H2, H6, J12, M5, U12, U16, 4008, 4088A, All Icom Dual-Pin Amateur
		Maxon	SL25, SL55, SP100, SP120, SP130, SP140, PL1145, PL2215, PL24125, PL2245, PL2445, All COBRA 2 Pin
		Motorola	Talkabout 200, 250, Distance, Distance DPS
		Ritron	Patriot Series RTX, SST, Jobcom JMX, MBX
		Vertex	VX-200, VX-500, VX-510, VX-520UD

CONNECTORS

Don't see your connector? Call us!

P/N	Connector Figure	Radio Brand	Radio Models
S2		Maxon	75-785, 75440, GTX-200, GTX-250, GTX-300, GTX-325, GTX-400, GTX-444, GTX-450, G-225, G-227, G-300, GXT500VP, SP140, Some Midland Radios
S3		Icom	F3G, F3GS, F4G, F4GS, F11, F11S, F14, F14S, F15, F21, F21S, F22, F24, F24S, F31, F33, F43
S4		Maxon	SL100, SP200, 200K, SP210, 210K, SP220K Legacy Series: PL1145, PL2245, PL2215P, PL2245P, PL2415, PL2445, PL5000, PL5151, PL5161, PL5184, TruTalk MURS-22/25
S6		Icom	F11, F21, F14, F14S, F24, F24S, F33G, F43G, F43TR, F3001, F3011, F3021, F3021S, F3021T, F4001, F4011, F4021, F4021S, F4021T, IC-V80/V80E
S6-WP		Icom	F3031S, F4031S, F3101D, F4101D, F3210D, F4210D, F3230D, F4230D, F1000T, F2000T, F1000S, F2000S, F1000, F2000
S8		Icom	F30G, F30GS, F30GT, F31G, F31GS, F31GT, F40G, F40GS, F40GT, F41G, F50, F50V, F60, F60V, F70, F80, F3061T/S, F3061S, F3161, F3161DS/S, F3161DT/T, F4061T/S, F4061S, F4161, F4161DS/S, F4161DT/T, M88
S9		Icom	ICOM 14-pin Connector. IC-F9011/F9021 Series, IC- F3260/F4260 Series, M85
Y1		Vertex	VX-10, VX-300, VXF-1, VX410, 420
Y4		Vertex	VX130, VX160, VX180, VX210, VX210A, VX230 Series, VX260 series, VX350, VX400, VX410, VX420, VX351, VX354, VX231, VX451, VX454, VX459, EVX531/534/539
Y5		Vertex	VX820/VX920/VX824/VX924/VXD720
Y6		Vertex	HX380/HX400/HX400IS, EVX-S24
Sepura		Sepura	STP8000
Tait		Tait	TP8100
Tetra1		Tetra	SPS-C200
Tetra2		Tetra	MTP-850
H1		Hytera	PD782, PD702
H2		Hytera	PD605/PD605G, PD665/PD665G, PD685/PD685G, X1e, X1p, Z1p
H3		Hytera	PD35X, PD36X
TC700		Hytera	TC700/700Ex, TC500/508/518/580, TC610, PD502/562
SO		Sonim	3.5mm Right Angle
KO		Rugby PRO and Others	
3.5ST		Sonim	3.5mm Straight Angle for iPhone and Other Mobile Phones

2-WAY RADIO CATALOG



349 N. Vinewood St.
Escondido, California USA 92029
U.S. 800.959.2899
Int'l 760.781.3220
Email: sales@kleinelectronics.com
Web: www.KleinElectronics.com

**COMMUNICATIONS GEAR
FOR THE TOUGHEST JOBS**